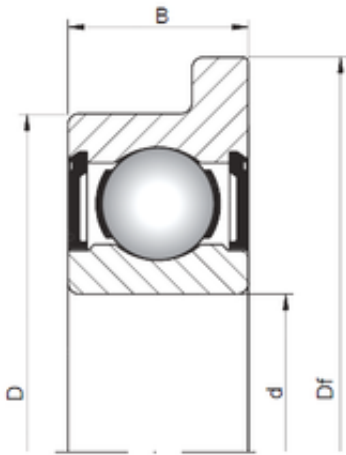




BEARING CORP.OF AMERICA



6 mm x 19 mm x 6 mm ISO FL626 ZZ deep groove ball bearings

Bearing No. FL626 ZZ

Dimensione	6x19x6 mm
Marchio	ISO
Diametro del foro	6 mm
Diametro esterno	19 mm
Larghezza	6 mm
d	6 mm
D	19 mm
B	6 mm
C	6 mm
Df	22 mm

FL626 ZZ Bearing 2D drawings and 3D CAD models