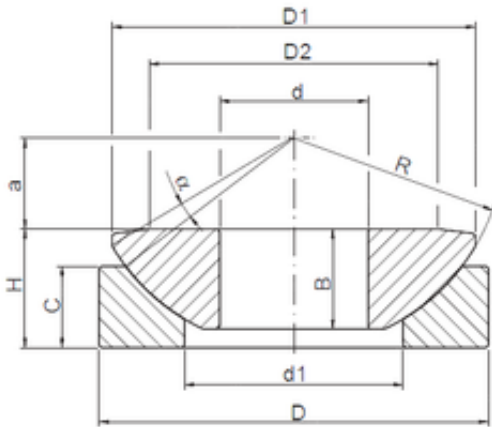




BEARING CORP. OF AMERICA

80 mm x 180 mm x 42 mm ISO GE80AW plain bearings

Bearing No. GE80AW



GE80AW Bearing 2D drawings and 3D CAD models

Size	80x180x50 mm
Bore Diameter	80 mm
Outer Diameter	180 mm
Width	50 mm
d	80 mm
D	180 mm
H	50 mm
a	42,5 mm
d1	108 mm
B	42 mm
C	36 mm
D1	168 mm
D2	130 mm
R	194 mm
Angle	6 °