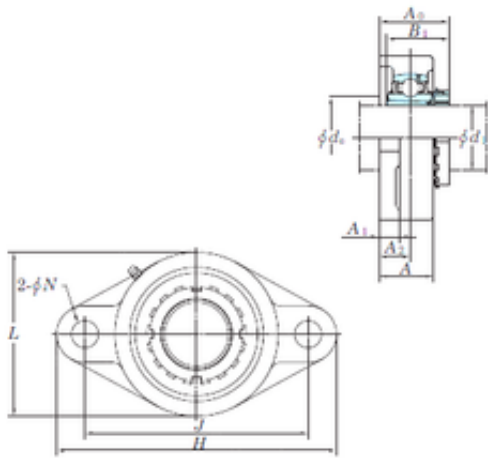




BEARING CORP.OF AMERICA

KOYO UKFL206 bearing units

Bearing No. UKFL206



UKFL206 Bearing 2D drawings and 3D CAD models

Bore Diameter	25,4 mm
d	25,4 mm
A0	37,5 mm
d3	36 mm
A	31 mm
A1	13 mm
B1	31 mm
H	148 mm
J	117 mm
L	80 mm
N	16 mm
Bolt (G)	M14
A2	18 mm
Weight	0,97 Kg
Basic dynamic load rating (C)	19,5 kN
Basic static load rating (C0)	11,3 kN