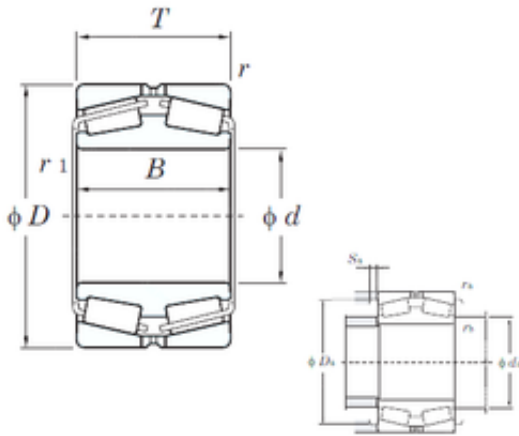




# BEARING CORP.OF AMERICA

120 mm x 200 mm x 62 mm KOYO 45324 tapered roller bearings



Bearing No. 45324

45324 Bearing 2D drawings and 3D CAD models

Size	120x200x62 mm
Bore Diameter	120 mm
Outer Diameter	200 mm
Width	62 mm
d	120 mm
D	200 mm
T	62 mm
B	62 mm
r min.	2 mm
r1 min.	2,5 mm
da max	142 mm
Db min.	178 mm
ra max.	2 mm
rb max.	2 mm
Db max	190 mm
Weight	7,92 Kg
Basic dynamic load rating (C)	353 kN
Basic static load rating (C0)	598 kN
(Grease) Lubrication Speed	1400 r/min
(Oil) Lubrication Speed	1900 r/min
Calculation factor (e)	0,35
Calculation factor (Y0)	1,91
Bearing No.	45324
r(min)	2
r1(min)	2.5



## BEARING CORP. OF AMERICA

Cr	444
C0r	598
Cu	41.7
Grease lub.	1400
Oil lub.	1900
da(max)	142
Da(max)	190
Da(min)	178
Sa(min)	4
ra(max)	2
rb(max)	2
e	0.35
Y2	1.95
Y3	2.90
Y0	1.91
(Refer.) Mass(kg)	7.92