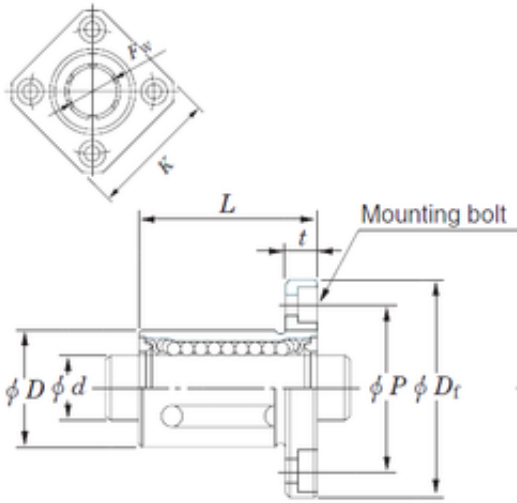




BEARING CORP.OF AMERICA

KOYO SDMK35 linear bearings

Bearing No. SDMK35



SDMK35 Bearing 2D drawings and 3D CAD models

| | |
|-------------------------------|---------|
| Bore Diameter | 35 mm |
| Outer Diameter | 52 mm |
| Fw | 35 mm |
| D | 52 mm |
| P | 67 mm |
| t | 10 mm |
| D1 | 82 mm |
| K | 64 mm |
| L | 70 mm |
| Bolt (G) | M6 |
| Weight | 610 Kg |
| Basic dynamic load rating (C) | 1580 kN |