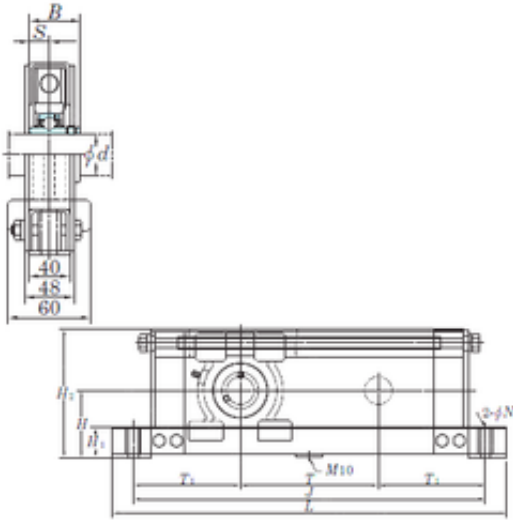




# BEARING CORP.OF AMERICA

## KOYO UCTL205-400 bearing units

Bearing No. UCTL205-400



UCTL205-400 Bearing 2D drawings and 3D CAD models

|                               |         |
|-------------------------------|---------|
| Bore Diameter                 | 25 mm   |
| Width                         | 34,1 mm |
| d                             | 25 mm   |
| T1                            | 140 mm  |
| B                             | 34,1 mm |
| H                             | 82 mm   |
| H1                            | 44 mm   |
| H2                            | 156 mm  |
| J                             | 680 mm  |
| L                             | 740 mm  |
| N                             | 15 mm   |
| S                             | 14,3 mm |
| T                             | 400 mm  |
| Bolt (G)                      | M12     |
| Weight                        | 9 Kg    |
| Basic dynamic load rating (C) | 14 kN   |
| Basic static load rating (C0) | 7,85 kN |