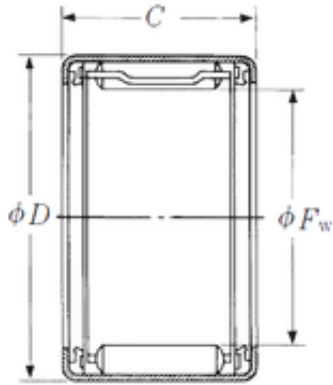




BEARING CORP.OF AMERICA

NSK FJTT-1620 needle roller bearings



Bearing No. FJTT-1620

Size	16x22x20 mm
Bore Diameter	16 mm
Outer Diameter	22 mm
Width	20 mm
Fw	16 mm
D	22 mm
C	20 mm
Weight	0,016 Kg
Basic dynamic load rating (C)	10,4 kN

FJTT-1620 Bearing 2D drawings and 3D CAD models