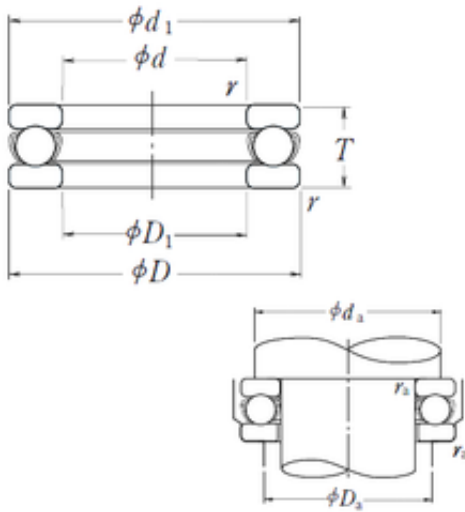




BEARING CORP.OF AMERICA



NSK 51320 thrust ball bearings

Bearing No. 51320

Size	100x170x55 mm
Bore Diameter	100 mm
Outer Diameter	170 mm
Width	55 mm
d	100 mm
D	170 mm
T	55 mm
d1	170 mm
r min.	1,5 mm
D1	103 mm
da min.	142 mm
Da max.	128 mm
ra max.	1,5 mm
Weight	4,98 Kg
Basic dynamic load rating (C)	239 kN
Basic static load rating (C0)	595 kN
(Grease) Lubrication Speed	1000 r/min
Category	Thrust Ball Bearing
Inventory	0.0
Manufacturer Name	NSK
Minimum Buy Quantity	N/A
Weight / Kilogram	5
Product Group	B00308
Rolling Element	Ball Bearing
Thrust Bearing	Yes
Single or Double Direction	Single Direction

51320 Bearing 2D drawings and 3D CAD models



BEARING CORP.OF AMERICA

Banded	No
Cage Material	Steel
Precision Class	Non-Precision
Component Description	Roller Assembly Plus Raceways
Other Features	Single Row With Flat Seat
Long Description	100MM Bore 1; 103MM Bore 2; 170MM Outside Diameter; 55MM Height; Ball Bearing; Single Direction; Not Banded; Steel Cage; Non-Precision
Inch - Metric	Metric
Category	Thrust Ball Bearings
UNSPSC	31171552
Harmonized Tariff Code	8482.10.50.08
Noun	Bearing
Keyword String	Ball Thrust
Manufacturer URL	http://www.nskamericas.com
Manufacturer Item Number	51320
Weight / LBS	10.97902
Bore 2	4.055 Inch 103 Millimeter
Outside Diameter	6.693 Inch 170 Millimeter
Overall Height with Aligning Washer	0 Inch 0 Millimeter
Bore 1	3.937 Inch 100 Millimeter
Height	2.165 Inch 55 Millimeter
bore diameter:	100 mm
static load capacity:	134000 lbf
outside diameter:	170 mm
dynamic load capacity:	53500 lbf
overall width:	55 mm
operating temperature range:	Maximum of +120 ° C



BEARING CORP.OF AMERICA

thrust bearing type:	Single-Direction
maximum rpm:	1500 rpm
outside diameter design:	Straight
cage material:	Steel Cage
separable or banded:	Separable
fillet radius:	1.5 mm
race type:	Flat
series:	51300
precision rating:	ABEC1, P0
SRI	13.7
hidYobi	51320
LangID	1
D_	170
SREX	0.1
C	239
B_	55
hidTable	ecat_NSSDTB
Oil rpm	1500
SRE	13.7
mass	4.98
GRS rpm	1000
ra	1.5
SRIX	0.1
D_a	128
SRIN	0
C0	595
SREN	0
D_1	103
Prod_Type3	TB_SD_WFS
da	142
DA_	25.4
Z_	15



BEARING CORP.OF AMERICA

yobi	51320
SDM_	135
r	1.5
T_	55
KBRG	5111