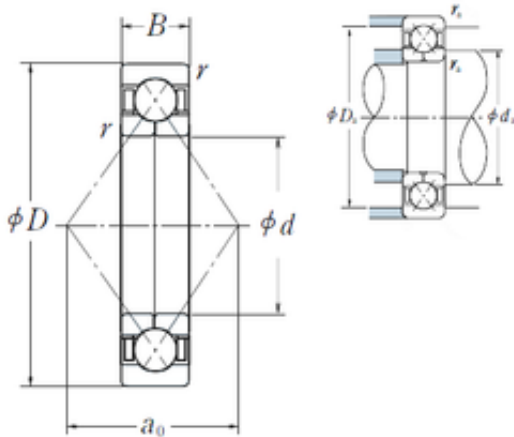




BEARING CORP.OF AMERICA

120 mm x 215 mm x 40 mm NSK QJ 224
angular contact ball bearings



Bearing No. QJ 224

Size	120x215x40 mm
Bore Diameter	120 mm
Outer Diameter	215 mm
Width	40 mm
d	120 mm
D	215 mm
B	40 mm
C	40 mm
Angle ()	35 °
a	117,3 mm
r min.	2,1 mm
da min.	132 mm
da max	203 mm
ra max.	2 mm
Weight	6,9 Kg
Basic dynamic load rating (C)	265 kN
Basic static load rating (C0)	585 kN
(Grease) Lubrication Speed	2 400 r/min

QJ 224 Bearing 2D drawings and 3D CAD models