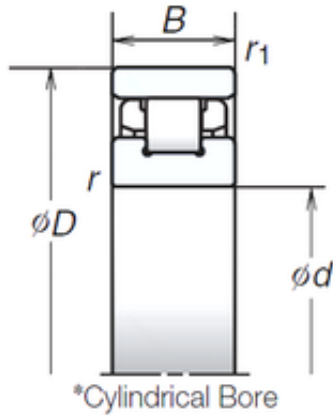




# BEARING CORP.OF AMERICA

55 mm x 90 mm x 18 mm NSK N1011RXHZTP cylindrical roller bearings



Bearing No. N1011RXHZTP

Size	55x81x18 mm
Bore Diameter	55 mm
Outer Diameter	81 mm
Width	18 mm
d	55 mm
D	90 mm
E	81 mm
B	18 mm
C	18 mm
r min.	1,1 mm
Weight	0,313 Kg
Basic dynamic load rating (C)	20,7 kN
Basic static load rating (C0)	19,7 kN
(Grease) Lubrication Speed	19 000 r/min

N1011RXHZTP Bearing 2D drawings and 3D CAD models