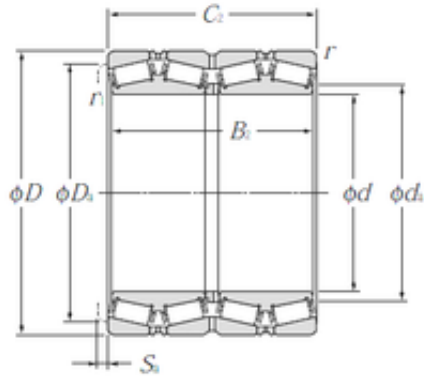




BEARING CORP.OF AMERICA

228,6 mm x 425,45 mm x 349,25 mm NTN E-EE700090D/700167/700168D tapered roller bearings



Bearing No. E-EE700090D/700167/700168D

Size	228.6x425.45x349.25 mm
Bore Diameter	228,6 mm
Outer Diameter	425,45 mm
Width	349,25 mm
d	228,6 mm
D	425,45 mm
B	349,25 mm
C	361,95 mm
r min.	6,4 mm
r1 min.	3,5 mm
Da	381 mm
da	263 mm
Sa	3 mm
Weight	232 Kg
Basic dynamic load rating (C)	3 450 kN

E-EE700090D/700167/700168D Bearing 2D drawings and 3D CAD models