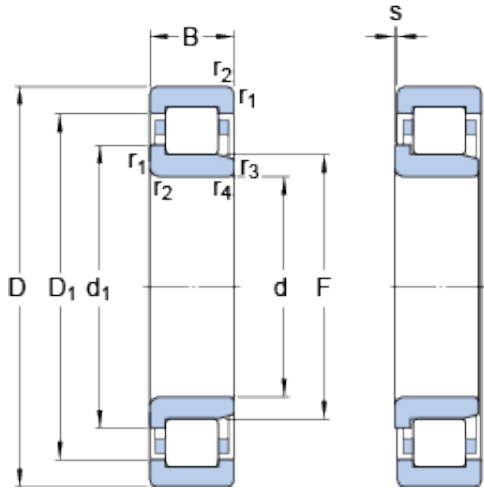




BEARING CORP.OF AMERICA



50 mm x 110 mm x 27 mm SKF NJ 310 ECPH thrust ball bearings

Bearing No. NJ 310 ECPH

Size	110x50x27 mm
Bore Diameter	110 mm
Outer Diameter	50 mm
Width	27 mm
d	50 mm
D	110 mm
B	27 mm
d ₁	71.2 mm
D ₁	91.4 mm
F	65 mm
r _{1,2} - min.	2 mm
r _{3,4} - min.	2 mm
s	1.9 mm
d _a - min.	60 mm
d _a - max.	63 mm
d _b - min.	73 mm
D _a - max.	99.6 mm
r _a - max.	2 mm
Basic dynamic load rating - C	127 kN
Basic static load rating - C ₀	112 kN
Fatigue load limit - P _u	15 kN
Reference speed	6700 r/min
Limiting speed	8000 r/min
Calculation factor - k _r	0.15

NJ 310 ECPH Bearing 2D drawings and 3D CAD models



BEARING CORP. OF AMERICA

d_1	71.2 mm
D_1	91.4 mm
$r_{1,2}$ min.	2 mm
$r_{3,4}$ min.	2 mm
s max.	1.9 mm
d_a min.	60 mm
d_a max.	63 mm
d_b min.	73 mm
D_a max.	99.6 mm
r_a max.	2 mm
Basic dynamic load rating C	127 kN
Basic static load rating C_0	112 kN
Fatigue load limit P_u	15 kN
Calculation factor k_r	0.15
Limiting value e	0.2
Axial load factor Y	0.6
Mass bearing	1.17 kg