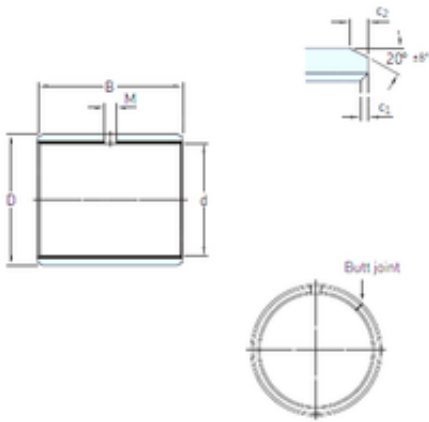




# BEARING CORP.OF AMERICA

6 mm x 8 mm x 10 mm SKF PCM 060810 E  
plain bearings



Bearing No. PCM 060810 E

Size	6x8x10 mm
Bore Diameter	6 mm
Outer Diameter	8 mm
Width	10 mm
d	6 mm
D	8 mm
B	10 mm
c1 min	0,1 mm
c2 min	0,2 mm
M	– mm
Weight	0,0016 Kg
Basic dynamic load rating (C)	4,8 kN
Category	Plain Bearings
Inventory	0.0
Manufacturer Name	SKF
Minimum Buy Quantity	N/A
Weight / Kilogram	0.092
Product Group	B04264
c <sub>1</sub> min.	0.1 mm
c <sub>1</sub> max.	0.6 mm
c <sub>2</sub> min.	0.2 mm
c <sub>2</sub> max.	1 mm
± 8	20 °
Tolerance shaft	f7
Tolerance housing	H7

PCM 060810 E Bearing 2D drawings and 3D CAD models



## BEARING CORP.OF AMERICA

Basic dynamic load rating - radial direction C	4.8 kN
Basic static load rating - radial direction C <sub>0</sub>	15 kN
Specific dynamic load factor K	80 N/mm <sup>2</sup>
Specific static load factor K <sub>0</sub>	250 N/mm <sup>2</sup>
Factor depending on material and bearing type K <sub>M</sub>	480
Permissible sliding velocity v min.	0 m/s
Permissible sliding velocity v max.	2 m/s
Coefficient of friction μ min.	0.03
Coefficient of friction μ max.	0.25
Mass bushing	0.0017 kg