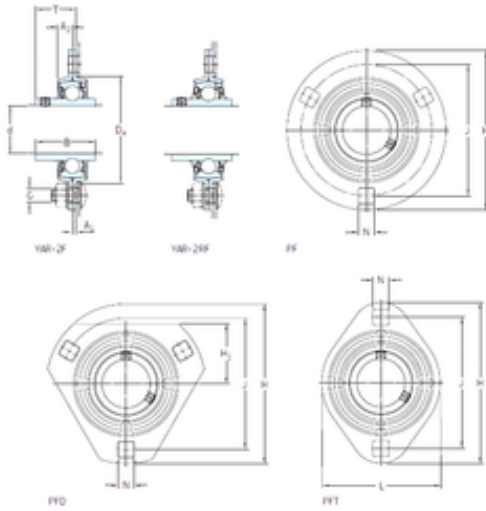




# BEARING CORP.OF AMERICA



## SKF PF 1.1/2 FM bearing units

Bearing No. PF 1.1/2 FM

|   |               |
|---|---------------|
| Bore Diameter                           | 38,1 mm       |
| d                                       | 38,1 mm       |
| Da                                      | 91 mm         |
| A1                                      | 3,5 mm        |
| B1                                      | 43,7 mm       |
| G                                       | 12 mm         |
| H                                       | 148 mm        |
| J                                       | 119 mm        |
| N                                       | 13,5 mm       |
| T                                       | 36,2 mm       |
| A2                                      | 10 mm         |
| Weight                                  | 1,25 Kg       |
| Basic dynamic load rating (C)           | 30,7 kN       |
| Basic static load rating (C0)           | 19 kN         |
| Housing material                        | Pressed steel |
| A <sub>1</sub>                          | 3.5 mm        |
| A <sub>2</sub>                          | 10 mm         |
| B                                       | 29.7 mm       |
| B <sub>4</sub>                          | 6.75 mm       |
| D <sub>a</sub> min.                     | 87 mm         |
| s <sub>1</sub>                          | 32.7 mm       |
| Basic dynamic load rating C             | 30.7 kN       |
| Basic static load rating C <sub>0</sub> | 19 kN         |
| Fatigue load limit P <sub>u</sub>       | 0.8 kN        |
| Permissible radial housing load max.    | 7.5 kN        |

PF 1.1/2 FM Bearing 2D drawings and 3D CAD models



## BEARING CORP.OF AMERICA

|   |            |
|---|------------|
| Mass unit   | 1.35 kg    |
| Thread grub screw G <sub>2</sub>                  | 3/8-24 UNF |
| Hexagonal key size for grub screw N               | 4.763 mm   |
| Recommended tightening torque for grub screw      | 16.5 N · m |
| Recommended diameter for attachment bolts, mm G   | 12 mm      |
| Recommended diameter for attachment bolts, inch G | 0.5 in     |